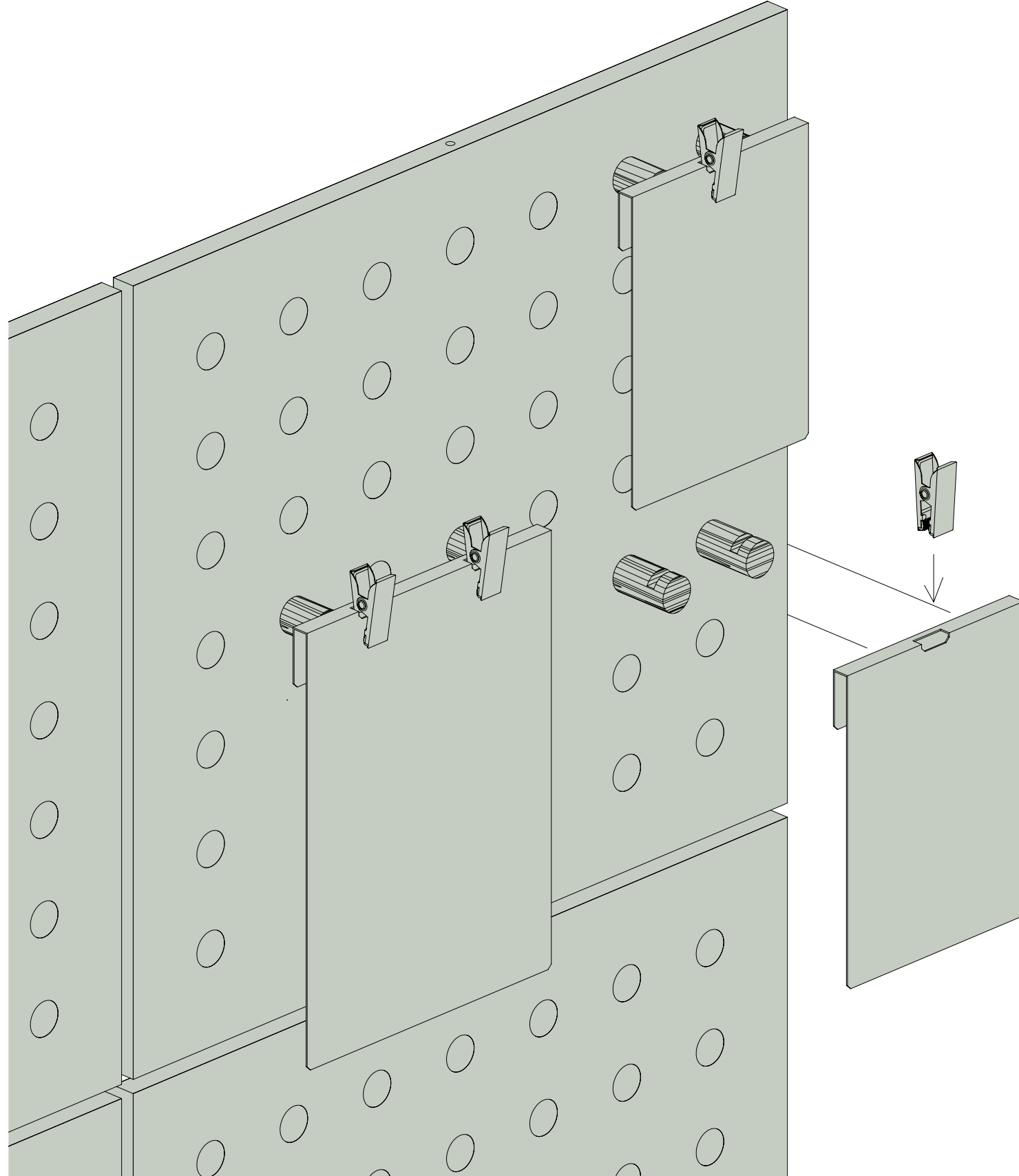


## Accessories



## Accessories

### Noteboard

Sits on 2 × pegs.  
Use as chalkboard or add Clip for sheets of paper.

**CHB** Chalkboard black

### P5005

Quantity	Saving	Each inc GST
1-4	–	\$16.00
5-19	12%	\$14.00
20+	29%	\$12.00

**Reward pricing** Each inc GST

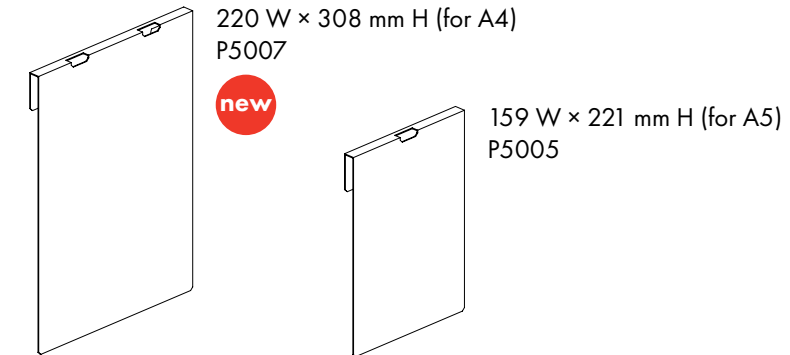
**G** \$12.00 **S** \$14.00

### P5007

Quantity	Saving	Each inc GST
1-4	–	\$16.00
5-19	12%	\$14.00
20+	29%	\$12.00

**Reward pricing** Each inc GST

**G** \$12.00 **S** \$14.00



### Clip

17 W × 50 mm H.  
For use with the Noteboard.

**WTS** White sand

**BKS** Black sand

**BRS** Brass

### P5010

Quantity	Saving	Each inc GST
1-4	–	\$4.80
5-19	11%	\$4.30
20+	24%	\$3.80

**Reward pricing** Each inc GST

**G** \$3.80 **S** \$4.30

Quantity	Saving	Each inc GST
1-4	–	\$6.80
5-19	7%	\$6.30
20+	16%	\$5.80

**Reward pricing** Each inc GST

**G** \$5.80 **S** \$6.30