
Installation tools



Installation tools

Post installation jig set
(pack of 2)

Use along with a level to precisely space and install single sided posts to wall.

600 mm bay
E0106

RDS Red sand

Quantity	Saving	Each inc GST
1-4	-	\$23.00
5-19	11%	\$20.50
20+	22%	\$18.00

Reward pricing Each inc GST

G \$18.00 **S** \$20.50

900 mm bay
E0109

RDS Red sand

Quantity	Saving	Each inc GST
1-4	-	\$26.00
5-19	12%	\$23.00
20+	23%	\$20.00

Reward pricing Each inc GST

G \$20.00 **S** \$23.00

1200 mm bay
E0112

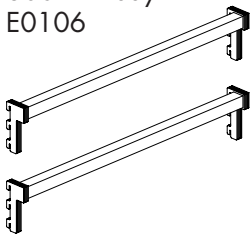
RDS Red sand

Quantity	Saving	Each inc GST
1-4	-	\$29.00
5-19	12%	\$25.50
20+	24%	\$22.00

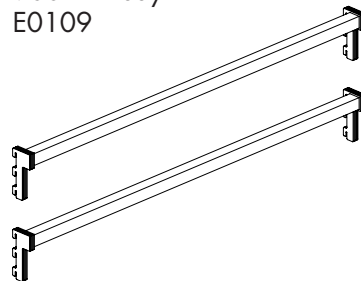
Reward pricing Each inc GST

G \$22.00 **S** \$25.50

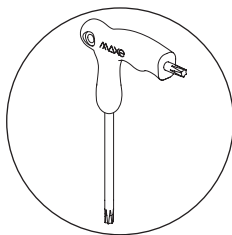
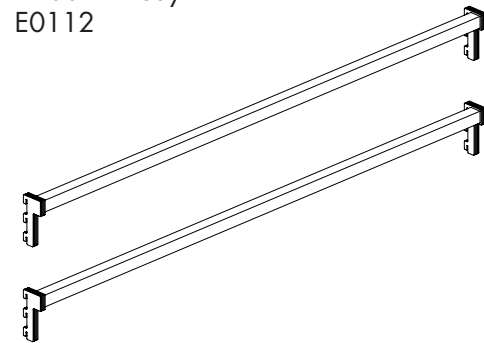
600 mm bay
E0106



900 mm bay
E0109



1200 mm bay
E0112



Turn-lock tool

E0001.4

*T30 Torx tool.
To assist with installation of joining rails, base joining rails & feet.*

RD Red

1-9	-	\$2.95
10-49	22%	\$2.30
50+	44%	\$1.65

Reward pricing Each inc GST

G \$1.65 **S** \$2.30



Soft faced mallet

E0005.4

To assist with installation of feet.

BKS Black sand

1-9	-	\$19.50
10-49	2%	\$18.95
50+	7%	\$17.95

Reward pricing Each inc GST

G \$17.95 **S** \$18.95